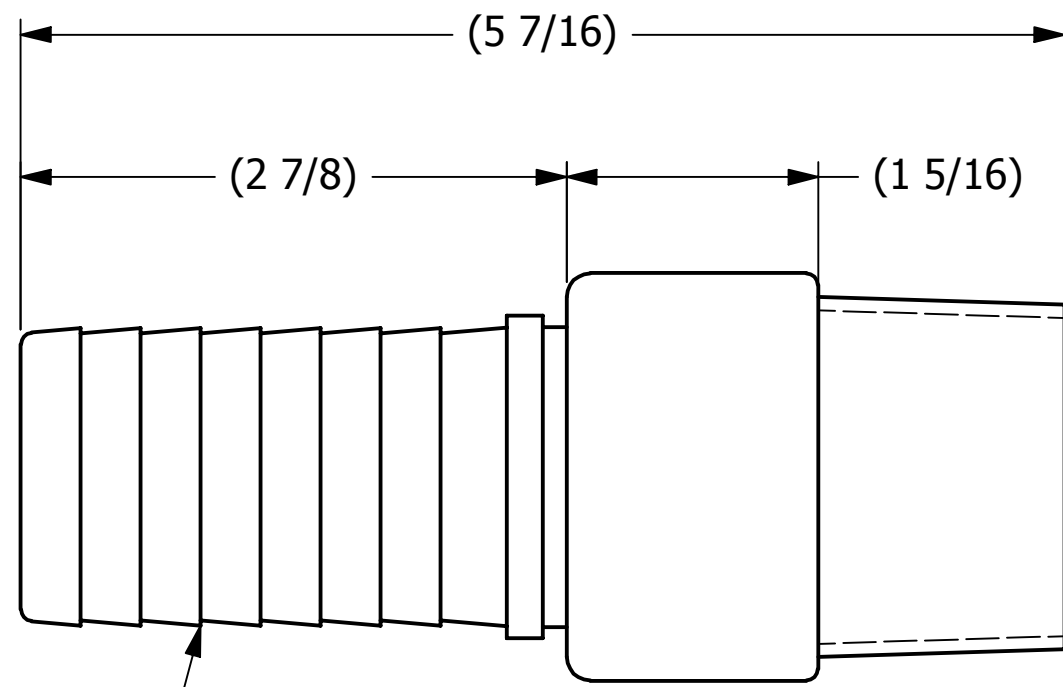
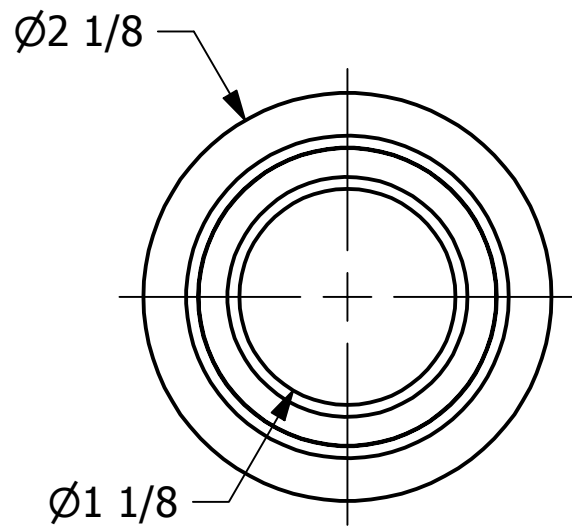
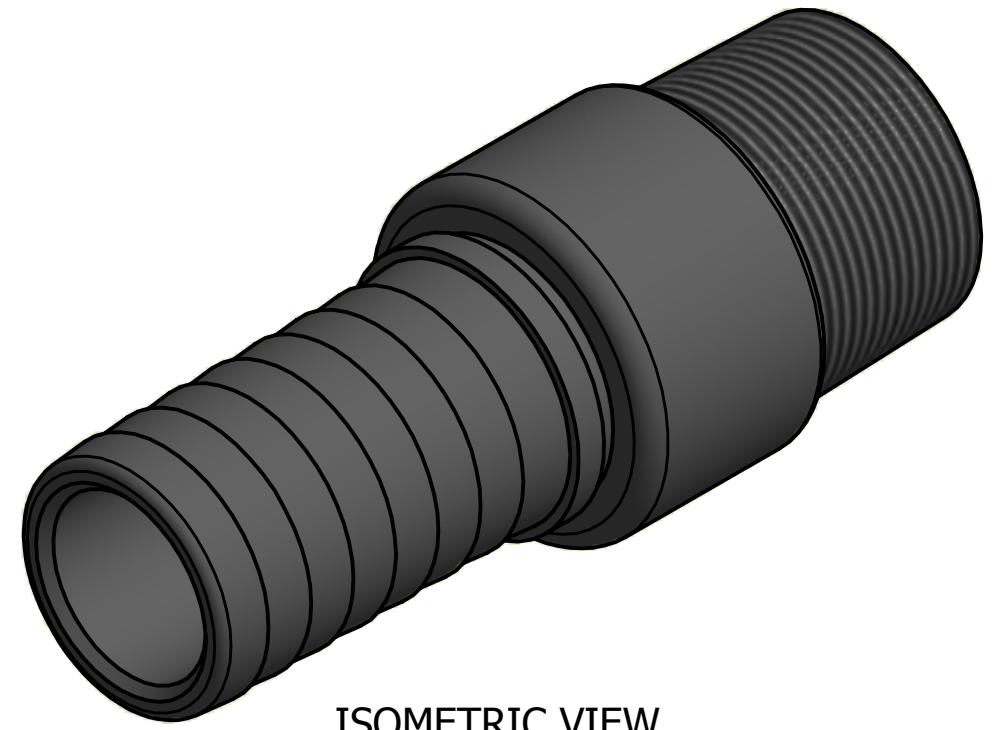


SALES DRAWING

SALES DRAWING



FOR 1 1/2" I.D. HOSE



ISOMETRIC VIEW

REV	BY	DATE	DESCRIPTION
B	VD	09-17-10	ADDED MATERIAL BOM AND GROOVE.
A	VD	10-28-04	UPDATED DESCRIPTION AND NOTE.

<small>UNLESS OTHERWISE SPECIFIED DIMENSIONAL TOLERANCES</small> FRACTIONAL: $\pm 1/16$ X.XX: $\pm .03$ X.XXX: $\pm .015$ ANGULAR: $\pm 1^\circ$ <small>DEBURR ALL SHARP EDGES. ALL MACHINED SURFACES TO HAVE A 125 RMS FINISH UNLESS NOTED OTHERWISE.</small>	DRAWN BY:	ACC
	CHECKED BY:	PJG
	PROTOTYPE BY:	ACC
	PROTOTYPE DATE:	12/16/2003
	APPROVED FOR PRODUCTION BY:	ACC
<small>THIRD ANGLE PROJECTION</small> 	PRODUCTION DATE:	12/16/2003

PART NAME:		
HOSE BARB 1 1/2"		
MATERIAL: GRAY PVC		
PROJECT #:	030708	SHEET #: 1 OF 1
SCALE:	1:1	
DRAWING #:	B18655	PART #:
		HS15PVCKC

THIS PRINT, PROPERTY OF SALCO PRODUCTS INC., CONTAINS PROPRIETARY INFORMATION AND MUST NOT BE COPIED, REPRODUCED, OR USED DETRIMENTALLY TO OUR INTEREST.